

Securitron® DM62 Magnalock®

The ultimate 1,200 lbs holding force Magnalock double magnet for indoor/outdoor high security



The versatile DM62 electromagnetic lock offers strength and ease of maintenance for interior, perimeter and exterior access control—in a compact double magnet.

This all-in-one unit is designed for double doors with no mullion. With unsurpassed durability, the DM62 will last long after most buildings wear out.

Features

Standard Features

- Ultra-secure collapsing blind nuts mount to door frame for strength and reliability
- Fully sealed for weatherproof operations
- 3' [1 m] of jacketed, stranded conductor cable for each lock
- Automatic dual-voltage—no field adjustment required
- Instant release circuit—no residual magnetism
- Noise suppression with included MOV
- Efficient, low power usage
- Rust resistant - all ferrous metal surfaces plated for durability
- MagnaCare® lifetime replacement, no fault, no questions asked warranty

Optional Features

- **B** BondSTAT™ magnetic bond sensor
- **D** Integrated door position switch (DPS)
- **OS** Offset strike plates



Grade 2



MagnaCare
Warranty

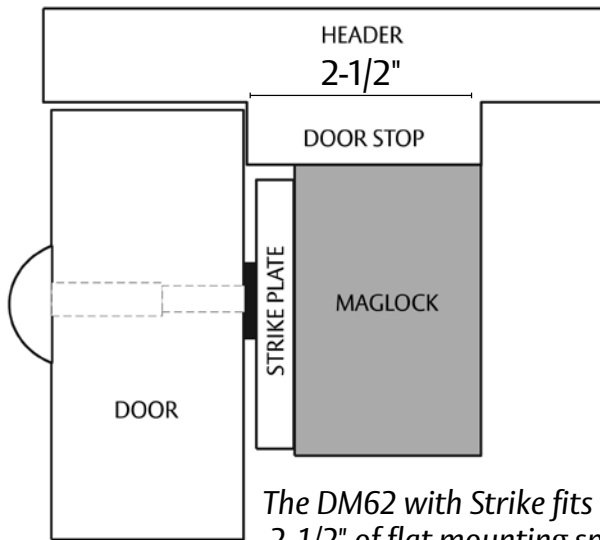
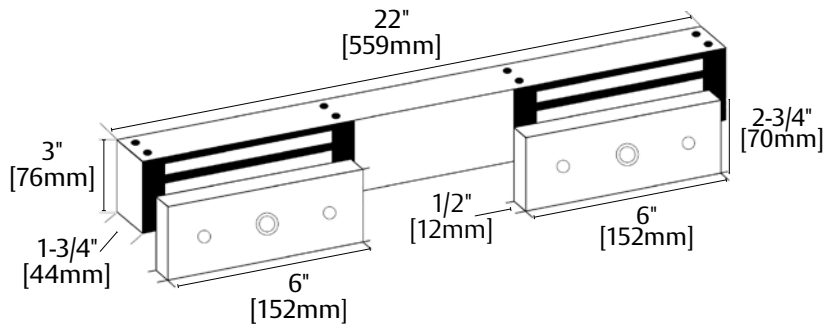


Auto Sensing
Dual Voltage
12/24



Fire Rated

Dimensions



The DM62 with Strike fits in 2-1/2" of flat mounting space

Specifications

Certifications

- UL 10C Listed
- CAN4-S104, CAN/ULC-S533 Listed
- ANSI/BHMA A156.23, Grade 2; E08511-1000
- CSFM- California State Fire Marshal Approved

Dimensions

- **Magnalock:** 22"L x 1-3/4"D x 3"H
- **Strike:** 6"L x 1/2"D x 2-3/4"H each

Electrical (Per Lock)

- 250 mA at 12 VDC
- 150 mA at 24 VDC

Holding Force (Per Lock)

- 1,200 lbs [544kg]

Operating Temperature

- -40 to +140F [-40 to +60C]
- Indoor or Outdoor use

Shipping Weight

- 16 lbs [7.26kg]

How to Order

Model Series	Monitoring Options	Strike Plate Options
DM62	BD	- OS
DM62	(blank) No Monitoring	(blank) Standard Strike
	B BondStat Monitor	OS Offset Strike
	D Door Position Switch	