

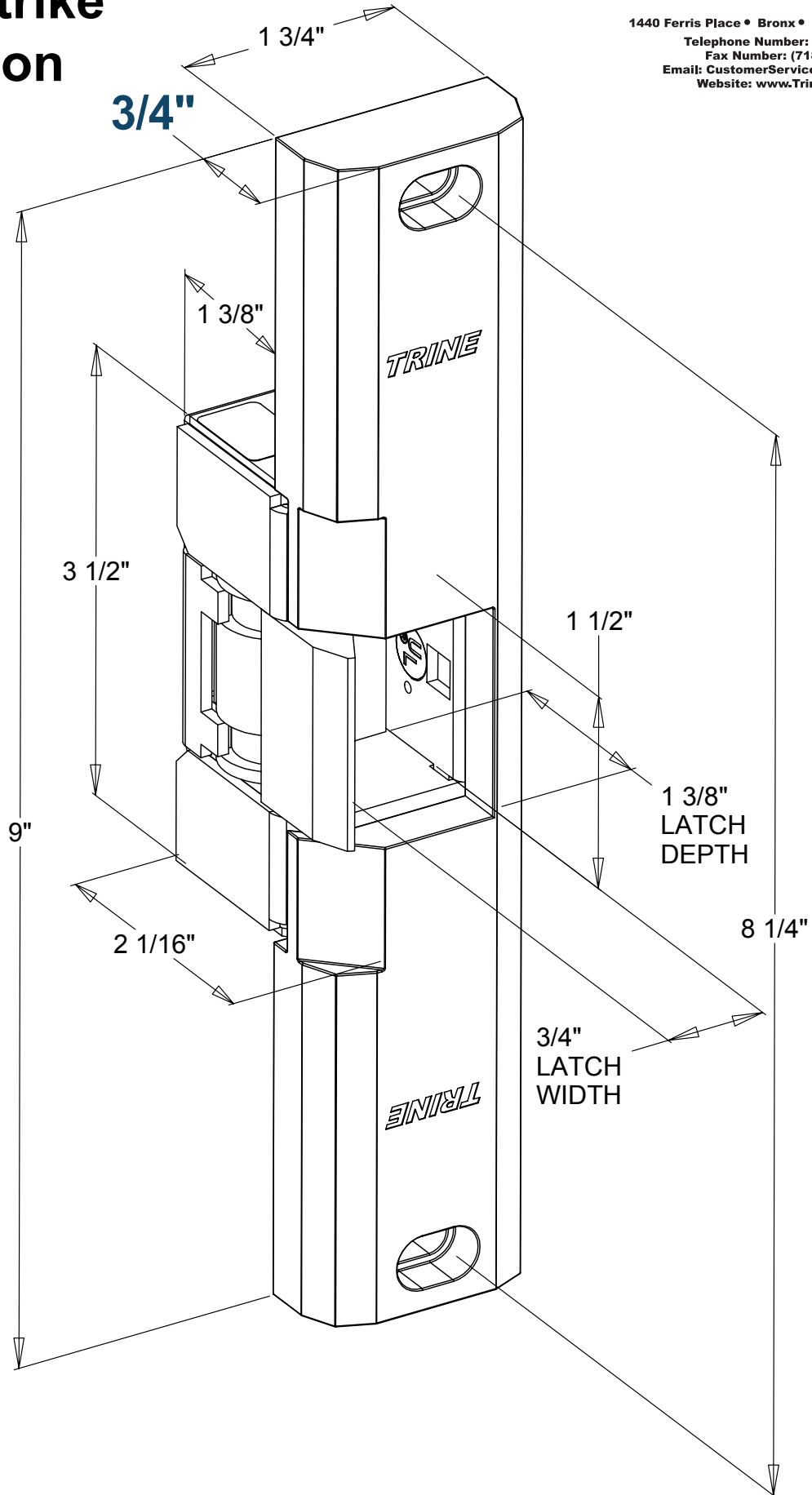
EN800

Electric Strike

Dimension



1440 Ferris Place • Bronx • New York • 10461-3699
Telephone Number: (718) 829-2332
Fax Number: (718) 829-6405
Email: CustomerService@Trineonline.com
Website: www.Trineonline.com



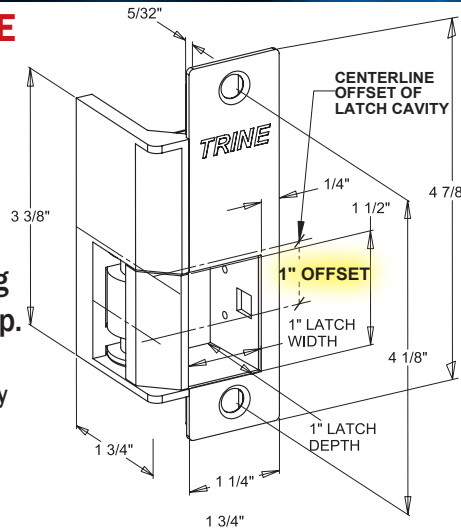


EN430 - CAVITY CENTERLINE OFFSET 1"

For new or replacement installations in metal jambs. Use with mortise lock latchbolts with up to 7/8" throw without relocating centerline. Based on 1/8" door gap.

Latch Shim Kit provided for horizontal cavity adjustment.

Designed to work with Schlage L Series, Sargent 7700, 8100, & Yale 8700



430-32D
(Satin Stainless Steel – BHMA630)

The following finishes are:

- **430-US3** (Bright Brass – BHMA605)
- **430-US4** (Satin Brass – BHMA606)
- **430-US10** (Satin Bronze – BHMA612)
- **430-US10B** (Dark Bronze – BHMA640)
- **430-32** (Polished Stainless – BHMA629)

The EN430 is handed, please specify LH or RH

EN Series



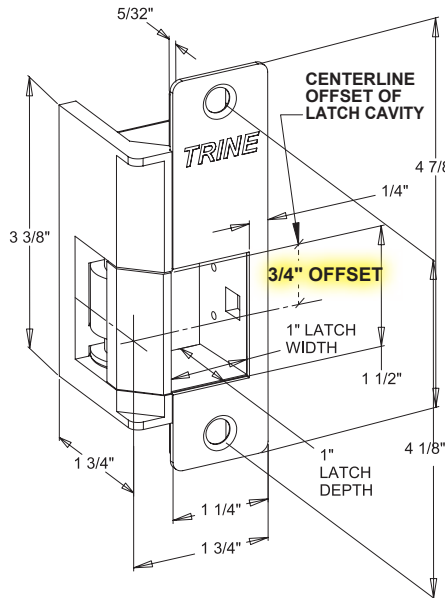
EN435 - CAVITY CENTERLINE OFFSET 3/4"

For new or replacement installations in metal jambs. Use with mortise lock latchbolts with up to 7/8" throw without relocating centerline. Based on 1/8" door gap.

Latch Shim Kit provided for horizontal cavity adjustment.

Designed to work with Arrow, Falcon, Sargent 7800, 8200, 9200, Yale 8800

Factory tested by Best® to work with the 45H Series.



435-32D
(Satin Stainless Steel – BHMA630)

The following finishes are:

- **435-US3** (Bright Brass – BHMA605)
- **435-US4** (Satin Brass – BHMA606)
- **435-US10** (Satin Bronze – BHMA612)
- **435-US10B** (Dark Bronze – BHMA613)
- **435-32** (Polished Stainless – BHMA629)

The EN435 is handed, please specify LH or RH

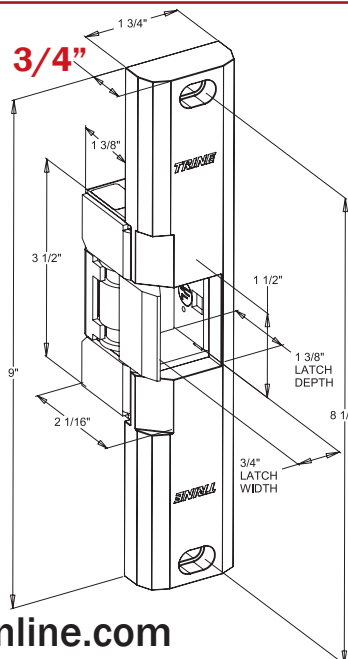


EN800 – GREAT FOR OUTDOOR GATES

For new or replacement installations in wood or metal single door jambs. Use with surface mounted rim exit devices with up to 1" throw. 3/4" thick face plate.

(Not UL 10C Listed)

Works with Rim Panic Exit Devices



800-32D
(Satin Stainless Steel – BHMA630)

The following finishes are:

- **800-US3** (Bright Brass – BHMA605)
- **800-US4** (Satin Brass – BHMA606)
- **800-US10** (Satin Bronze – BHMA612)
- **800-US10B** (Dark Bronze – BHMA613)
- **800-32** (Polished Stainless – BHMA629)